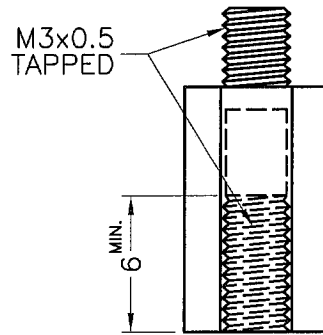
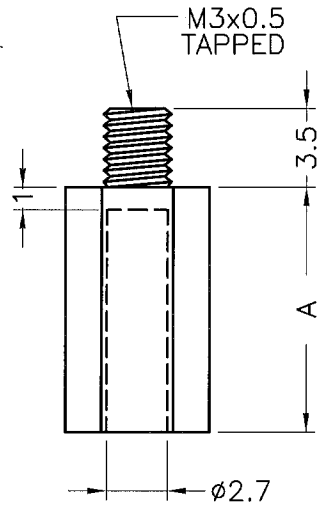
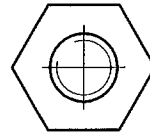
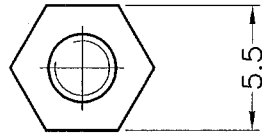


REVISIONS			
REV	DESCRIPTION	DATE	BY



攻牙前

攻牙後

PART NO.	A
TP-10.8	10.8
TP-11.2	11.2

<p>康揚企業股份有限公司 KANG YANG HARDWARE ENTERPRISE CO., LTD. 東莞康揚塑膠五金電子廠 DONG GUAN KANG YANG PLASTIC HARDWARE COMPANY 康哲電腦配件(吳江)有限公司 KANG CHE COMPUTER COMPONENTS(WUJIANG) CO.,LTD.</p>				TITLE	塑膠銅柱	品管用圖面	
				MATERIAL	NYLON 66 UL94V-2	DATE	2005.03.02
				FINISH		DRAWN	James
				COLOR	NATURAL	CHECK	
PART NUMBER	SEE ABOVE	DRAWING NUMBER	TP-10.8	UNLESS OTHERWISE SPECIFIED TOLERANCE	±0.2	APPROVED	Kang
SIZE	A4	SCALE	3:1	UNIT	mm	REV	A